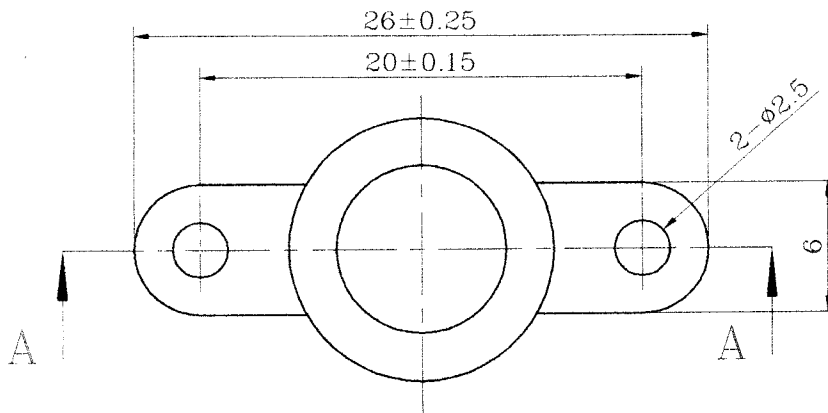


SECTION:A-A



NOTES:

1. Material used is Silicon Rubber, 70Degree, color is black;
2. External viewing should have no defects, pin-whole should be less than 0.03 mm.;
3. The Tolerance of those parameters do not specify are coincided with IT11 Grade.

					<b>Holder Rubber</b>			Material: silicon rubber		
								Part No: 01. AE. MT. 946502		
Drawing No	Mark	Doc No.	Signature	Date				Proportion		
Version	design		date					10:1		
	check		date					<b>HORN</b> Shenzhen Horn Electroacoustic Technology Co.,Ltd		
1.2	approve		date							
					Page 1 of 1					